

Stock Code: **20029LEDDMG-WH/ACR**

Collection: Newport

### PRODUCT INFORMATION

Base: 20029 Parent: 20029LEDDMG  
Mounting Type: Wall UPC: 641594247831  
Finish: White  
Diffuser: Acrylic Lens

### PRODUCT MEASUREMENTS

FIXTURE	BACKPLATE / CANOPY
Length:	Length
Width: 5.5"	Width:
Diameter	Diameter:
Height: 5.5"	Height:
Extension: 1.75"	
Overall Height:	

### TECHNICAL SPECIFICATIONS

#### SPECIFICATIONS

Frame Material: N/A  
Diffuser Material: N/A  
Lamping Type: SSL (Dedicated LED) Jbox: Standard  
Lamping Base: SSL Lamp Wattage: 6 W  
Lamp Quantity: 2 Total Wattage: 12 W  
Voltage: 120v Lamps Included: Yes

#### QUALIFICATIONS

Location Rating Wet  
Certification: ETL (US/Canada) Listed  
ADA Compliant: Yes Energy Star: No  
JA8 Compliant: Outdoor Only Emergency Lighting: No  
Marine Grade Finish: Yes  
Warranty: 5 Year

#### PHOTOMETRICS

Dimmable: Yes Nominal Lumens 1200 Lm  
CRI: 90 Delivered Lumens: N/A  
CCT: 3000K  
Recommended Dimmers:  
(ELV)LUTRON Diva DVELV-300P; (TRIAC)LEVITON Trimatron 6684; (TRIAC)LEVITON Sureslide 6633-P; (MLV)LUTRON Diva DVLV-600P; (ELV)LUTRON Maestro CL MACL-153M; (TRIAC)LUTRON Toggler TG-600P; (TRIAC)LUTRON Diva DVCI -153P

#### ADDITIONAL NOTES

Project Name: \_\_\_\_\_

Location: \_\_\_\_\_

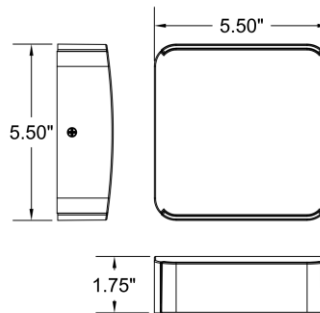
Type: \_\_\_\_\_

Quantity: \_\_\_\_\_

Notes: \_\_\_\_\_



#### LINE DRAWING



#### IES FILE

In addition to Access Lighting's purchase and warranty terms and conditions, by signing below or placing an order, you agree that you are authorized to bind the entity placing any order and acknowledge the following: All of sizes and measurements are approximate and all images are for illustrative purposes only. In the event of an inconsistency, the "Product Measurements" section controls. There also may be slight differences in the colors and designs compared to the displayed and printed images.

Signature: \_\_\_\_\_

Print Name \_\_\_\_\_ Date: \_\_\_\_\_

Toll Free 800-828-5483 [www.AccessLighting.com](http://www.AccessLighting.com)

14410 Myford Road, Irvine, CA 92606

The information is subject to change without notice.

1/4/2023

20029LEDDMG-WH\_ACR.pdf

